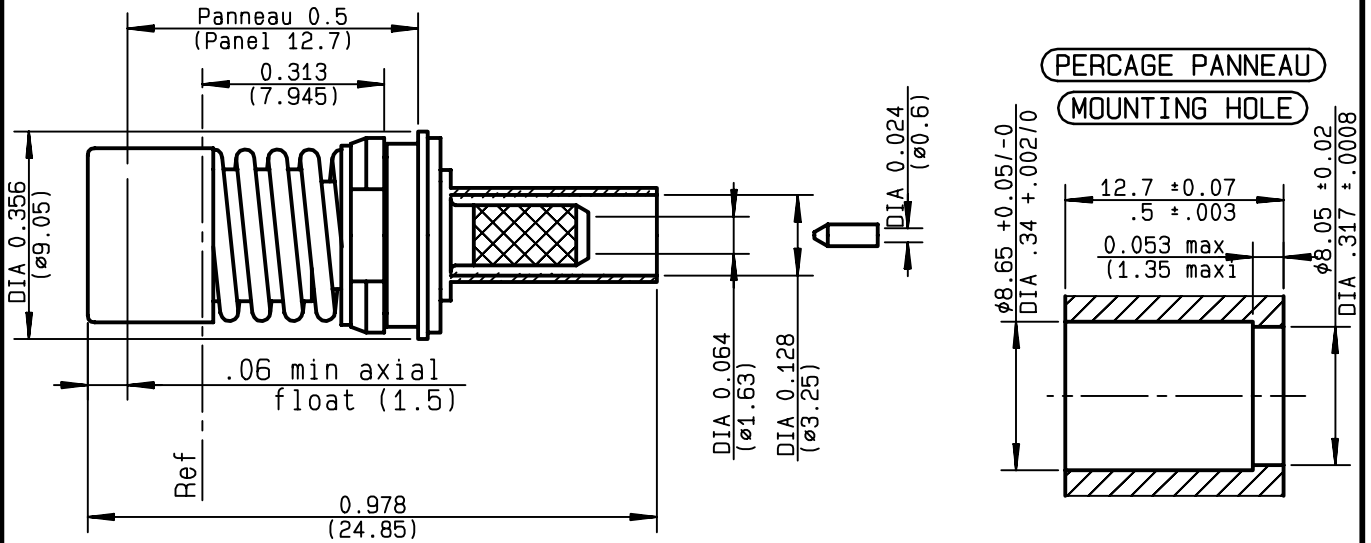


**STRAIGHT FLOATING JACK CRIMP TYPE  
CABLE 2.6/50 S - PACK 100**

**R128.233.827**  
**SERIES BMA COM**



NOMINAL IMPEDANCE	<b>50</b> Ω
FREQUENCY RANGE	<b>0-12.4</b> GHz
TEMPERATURE RATING	<b>-65/+125</b> °C
V.S.W.R	<b>1.15</b> + <b>.02</b> x F(GHz)Maxi
RF INSERTION LOSS	<b>0.03</b> √F(GHz) dB Maxi
VOLTAGE RATING	<b>350</b> Veff Maxi
DIELECTRIC WITHSTANDING VOLTAGE	<b>1000</b> Veff Mini
INSULATION RESISTANCE	<b>5000</b> MΩMini
HERMETIC SEAL	<b>NA</b> Atm.cm <sup>3</sup> /s
LEAKAGE (pressurized only)	<b>NA</b>
MECHANICAL DURABILITY	<b>500</b> Cycles
WEIGHT	<b>3.5</b> gr
SPECIFICATION	

CABLES : **KX 22A**  
**RG 188**  
**RG 316**

OTHERS CHARACTERISTICS

CABLE RETENTION	<b>110</b> N Mini
CENTER CONTACT RETENTION	
Axial force - mating end	<b>18</b> N Mini
Axial force - opposite end	<b>18</b> N Mini
Torque	<b>NA</b> cm.N Mini
RECOMMENDED TORQUES	
Mating	<b>NA</b> cm.N
Panel nut	<b>NA</b> cm.N
Clamp nut	<b>NA</b> cm.N

CONNECTOR PARTS	MATERIALS	FINISH	(all values are given in micrometers)
BODY	BRASS	BBR 2	
OUTER CONTACT	BRASS	BBR 2	
CENTER CONTACT	BRONZE	GOLD 1.3 OVER COPPER 2	
INSULATOR	PTFE	-	
GASKET		-	
OTHERS PIECES	BRASS	BBR 2	

ISSUE	CREATION DATE	FILE PART-NUMBER
<b>9926A01</b>	<b>27/09/1996</b>	<b>EPC96-06</b>



BAFFERT

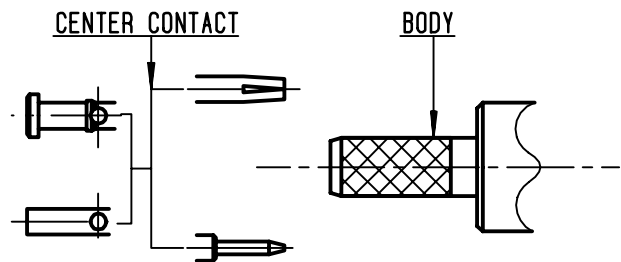
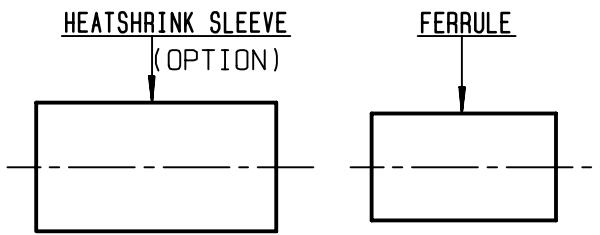
The information given here is subject to change without notice.  
Design changes may be in order to improve the product .

*Connect to the future*



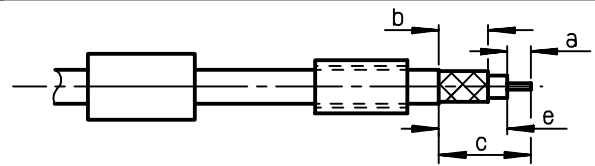
**R128.233.827**

ISSUE 9926A01 SERIES BMA COM



①

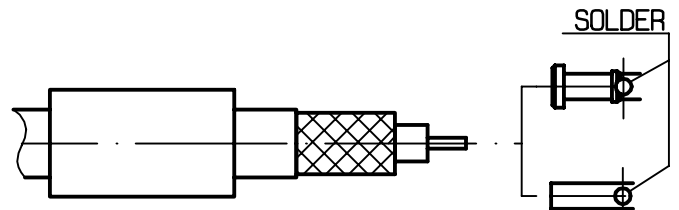
Slide ferrule and heatshrink sleeve onto cable .  
(R280.637.020 - Option)  
Strip the cable  
-



Stripping	a	b	c	d	e
inch	0.059	0.256	0.394	0	0.335
mm	1.5	6.5	10		8.5

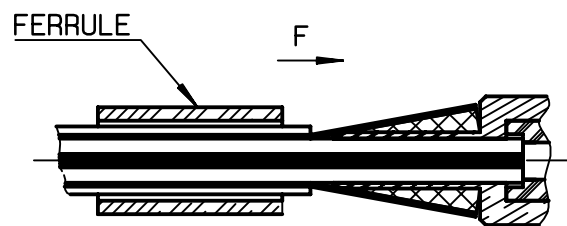
②

Slide center contact on until it bottoms against cable dielectric .  
Solder center contact .  
Clean soldered area .  
-  
-



③

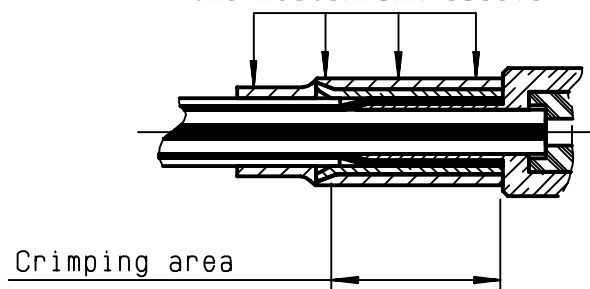
Fan the braid .  
Slide cable into body until it bottoms against insulator .  
Slide ferrule over the braid .  
(In direction F)



④

Crimp the ferrule with crimping tool R 282 211 000 ( Hex. : 3.25 ) or crimping tool R 282 293 000 ( M22520/5-01 ) + dies R 282 235 003 ( M22520/5-03 )  
Cut the excess of braid if necessary  
Slide sleeve over ferrule and heatshrink in place (Option).  
-  
-

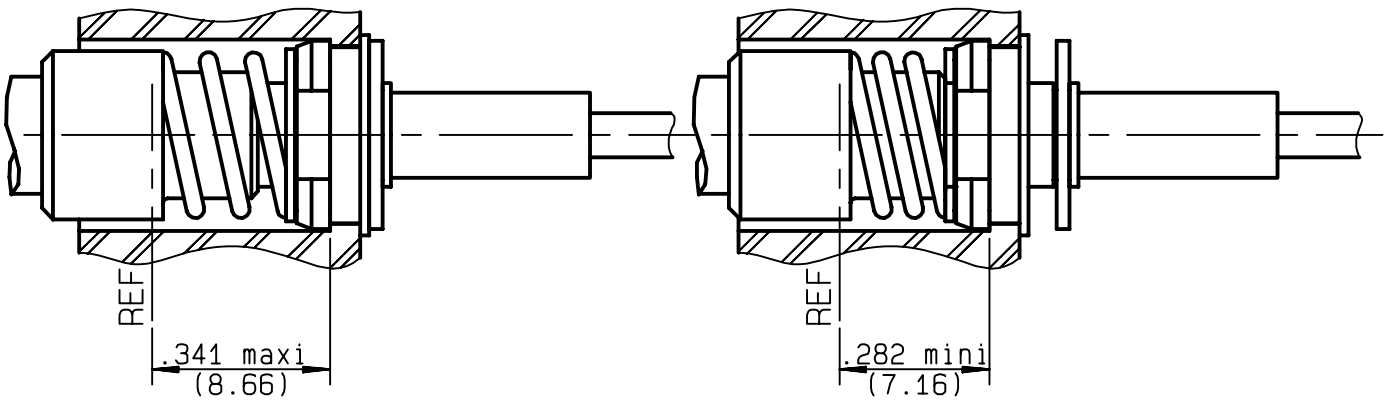
Shrink the heatshrink sleeve





**R128.233.827**

ISSUE 9926A01 SERIES BMA COM



Allowed floats of this connector is as follows:

axial stroke: .060 inch

radial clearance:  $\pm .0187$  inch

Greater hole pattern variation is allowed but at the sacrifice of the radial float.

